

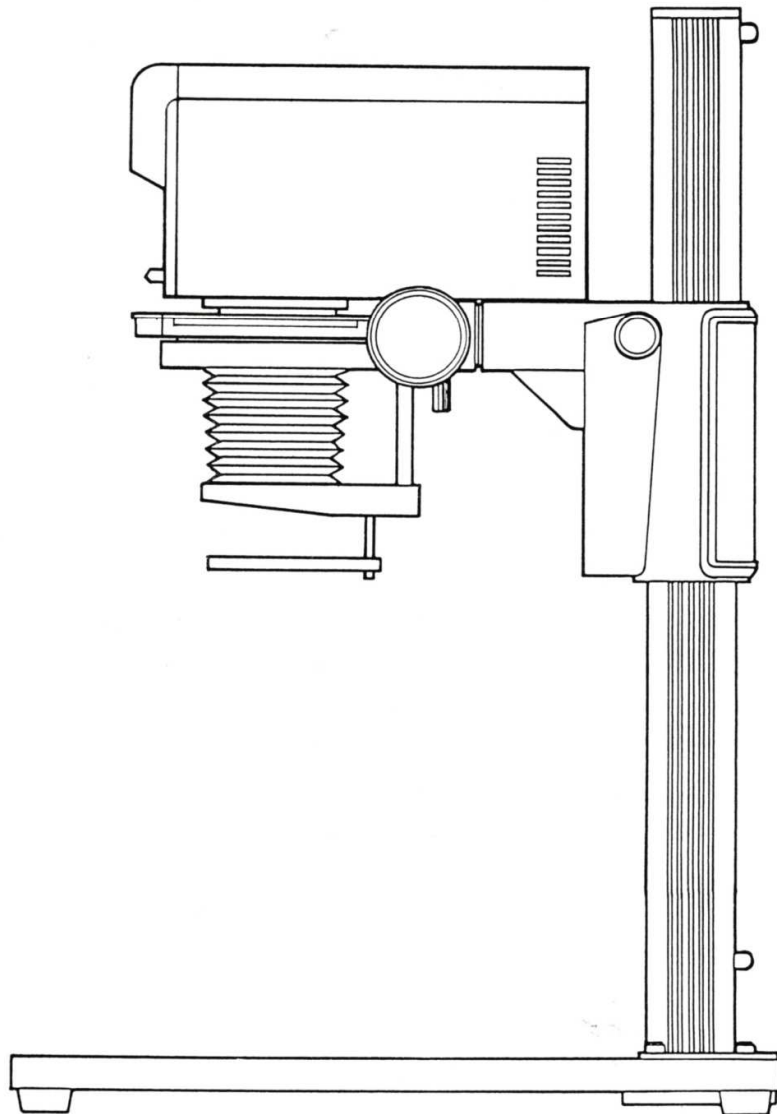


L3321

CONDENSER ENLARGER 6600

INSTRUCTION MANUAL

www.ianbfoto.com



Thank you very much for selecting an LPL enlarger.
Please read this manual carefully before using the enlarger,
and keep it for future reference.

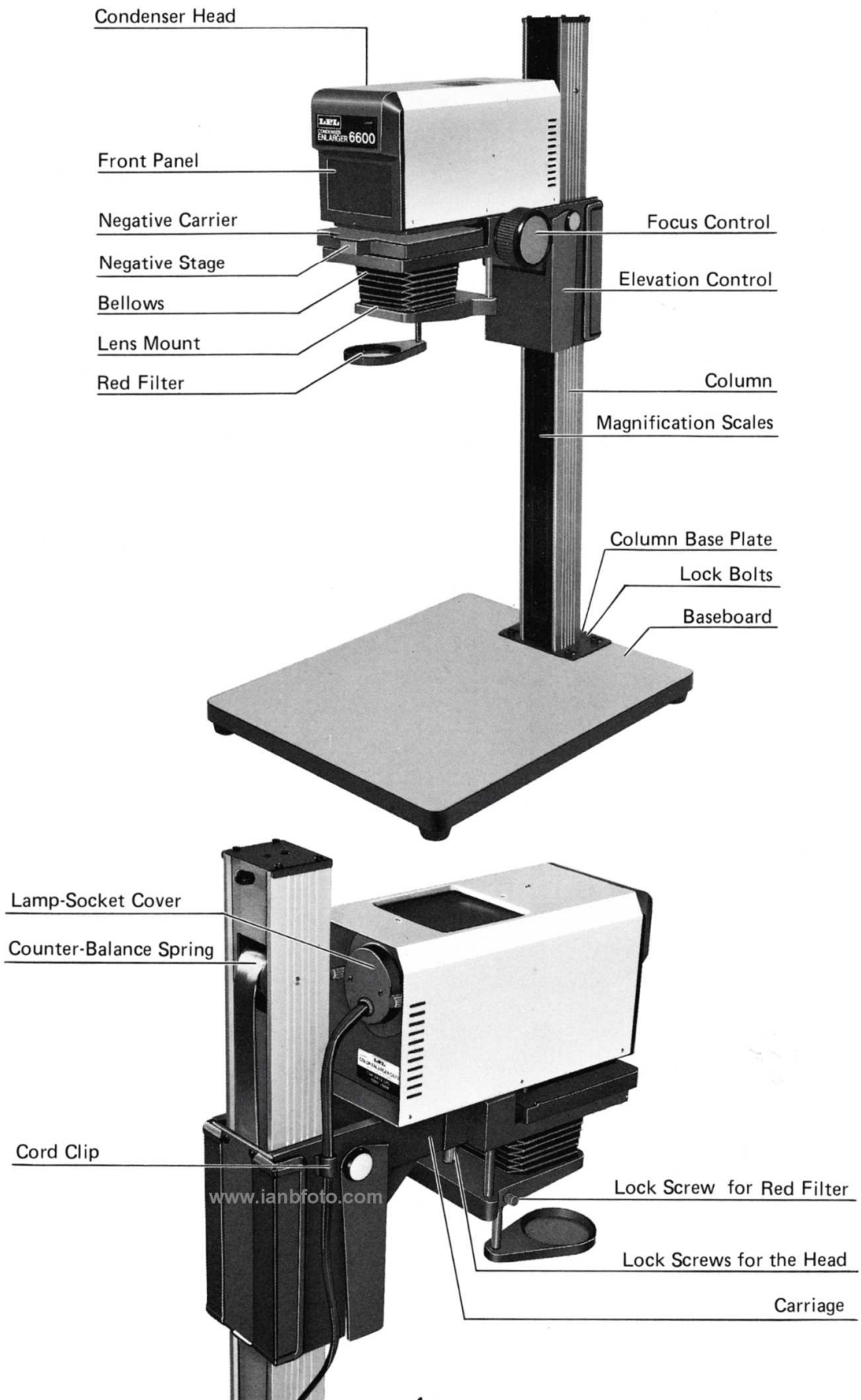
CONTENTS

SPECIFICATIONS	Inside Cover
DENOMINATION OF PARTS	Page 1
BLOCK COMPOSITION2
ASSEMBLY 13
ASSEMBLY 24
ASSEMBLY 35
ASSEMBLY 4./OPERATION 16
OPERATION 27
OPERATION 38
OPERATION 49

SPECIFICATIONS

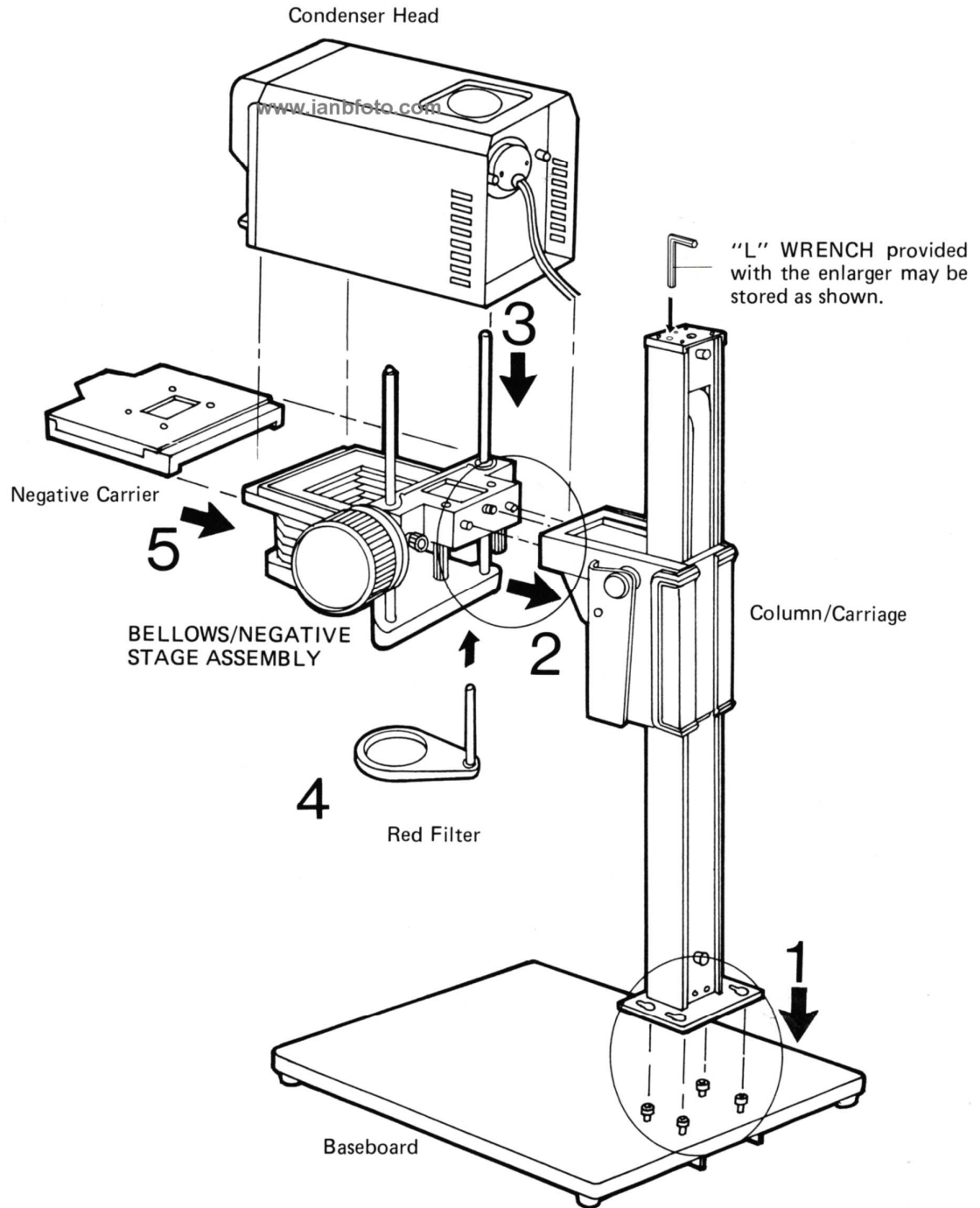
Format Size	: 6 x 6 cm and smaller
Light Source	: Opal Lamp, tear-drop type, 75W (or 100W)
Illumination	: Double-Condenser Type
Len Mount	: Leica threads (39 mm.φ)
Elevation Control	: Press-to-release (spring counter-balanced)
Focus Control	: Friction roller, large size knob.
Magnification	: 2 – 12X, (35mm. format; 50mm. lens)
Filter Drawer	: 75mm x 75mm
Overall Height	: 108 cm.
Baseboard Size	: 45 cm. x 45 cm.
Weight	: 10.5 kg.

DENOMINATION OF PARTS

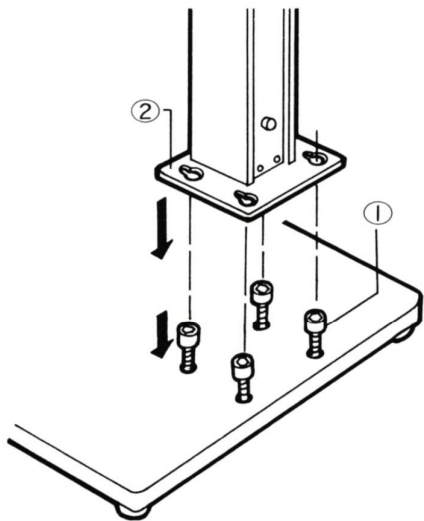


BLOCK COMPOSITION

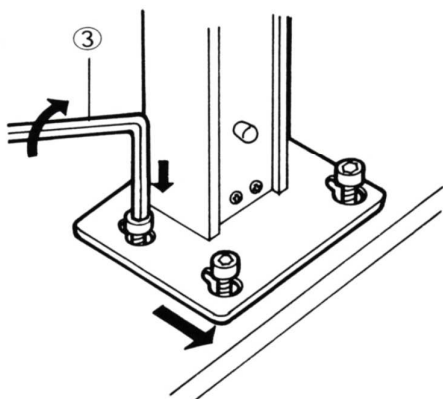
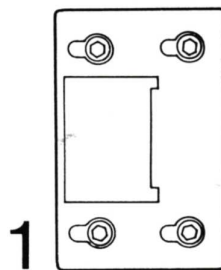
The enlarger is assembled from the blocks as shown below:
(The figures indicate order of assembly)



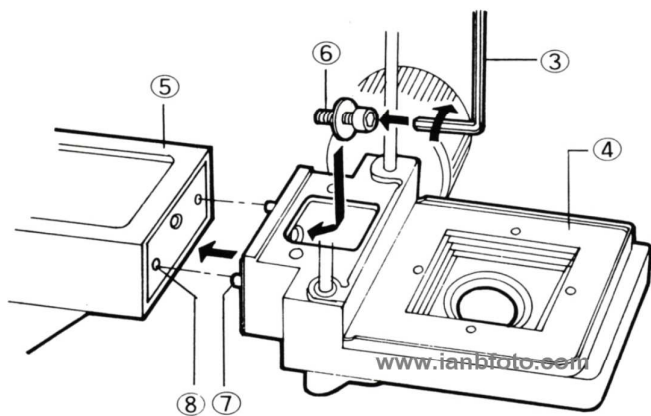
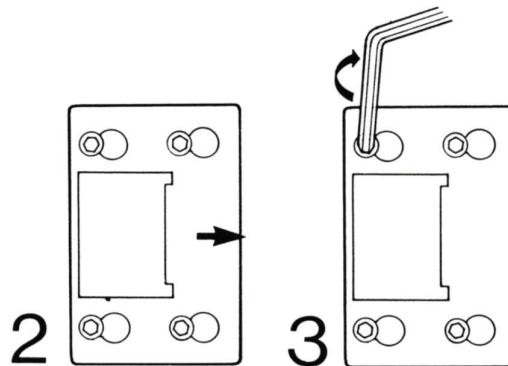
ASSEMBLY 1



1. Stand the lock bolts (1) in the baseboard holes as shown, and place the column on the baseboard so that the bolts will come through the holes in the column base-plate (2).

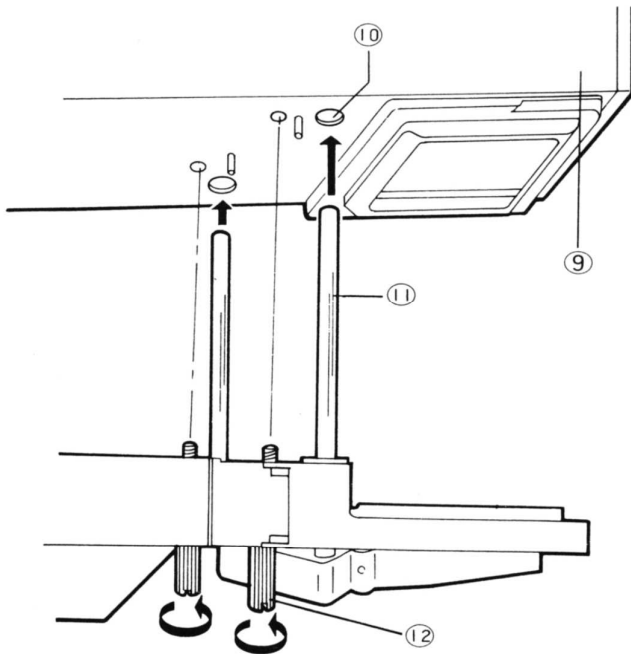


2. Slide the column toward the edge of the baseboard as shown, adjusting the position of the bolt heads in the holes of the column base-plate. Tighten the bolts with "L" wrench (3) supplied with the enlarger.



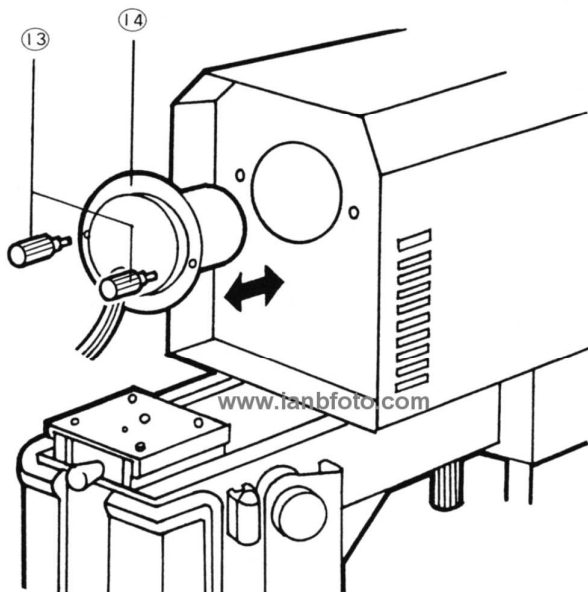
3. Fix the bellows/negative stage assembly (4) to the carriage (5) with the clamping bolt (6), matching the positioning pins (7) of the assembly to the holes (8) in the carriage. Tighten the clamping bolt firmly with the "L" wrench (3).

ASSEMBLY 2

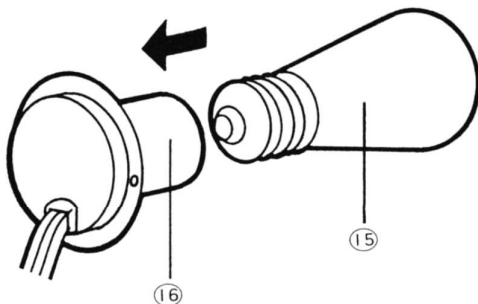


4. Mount the head (9) on the bellows/negative-stage assembly, so that the focus guide shafts (11) come through the holes (10) in the bottom of the head.

5. Push up and tighten the pair of the head-fixing screws (12) (using a coin).



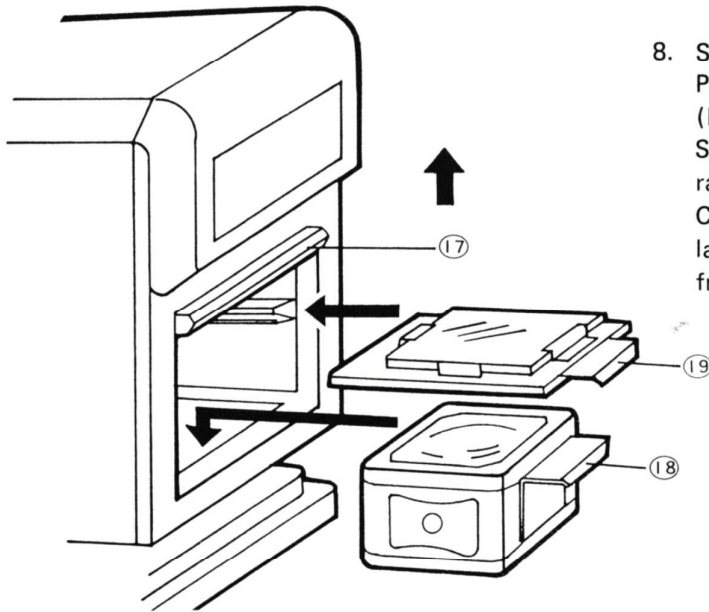
6. Unscrew the fixing screws (13) and take out the lamp-socket cover (14).



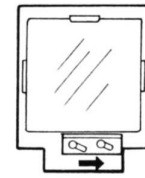
7. Install the enlarging lamp (15) into the lamp-socket (16), and put it back into the head, by reversing the process.

* In changing the lamp, do not touch it while hot.

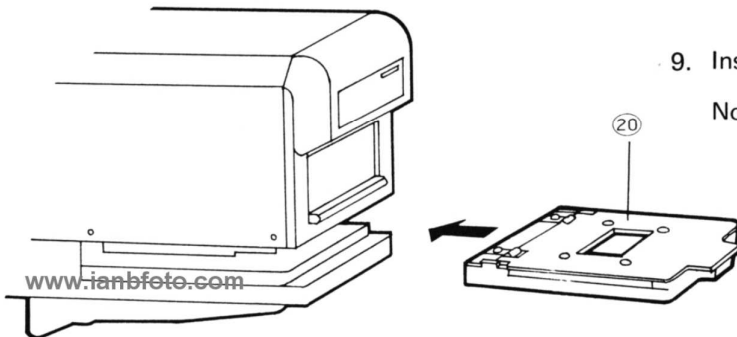
ASSEMBLY 3



8. Slide the front panel (17) up as shown. Place the condenser lenses unit (18) as shown. (It falls in the position.) Slide the Heat Absorbing Glass (19) in the rails.
- Color Print Filters (not provide with the enlarger) of 7.5 x 7.5 cm. can be placed in the frame underneath the heart absorbing glass.

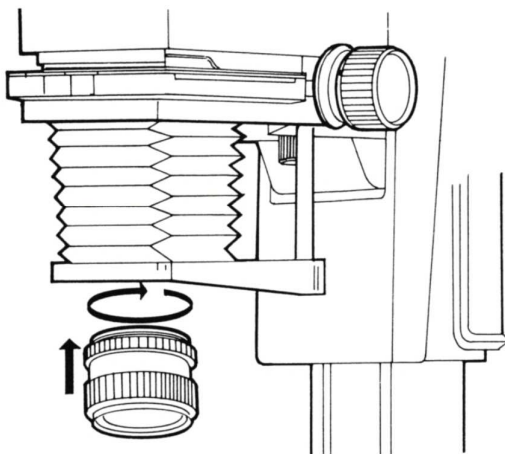


To remove the heat absorbing glass.



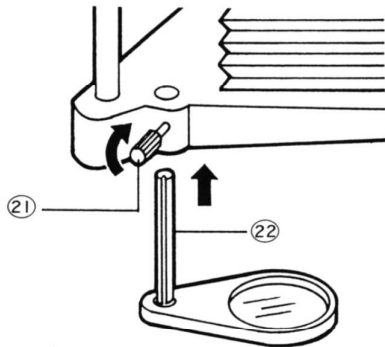
9. Insert the negative carrier (20).

Note: LPL 7000 series negative carriers all fit this enlarger.

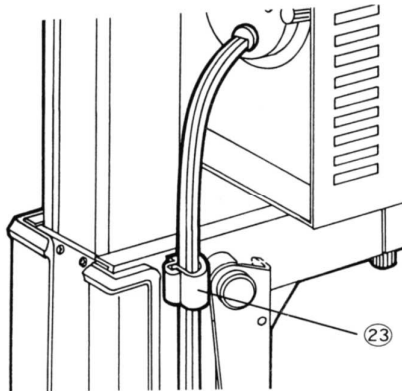


10. The enlarger has 39 mm. (Leica threads) mount. Install an appropriate enlarging lens (not provided with the enlarger.).

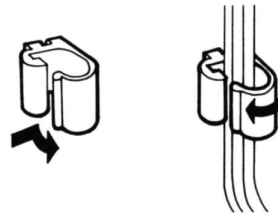
ASSEMBLY 4



11. Loosen the lock screw (21), and insert the red filter (22) as shown. The tip of the lock-screw will fit into the groove on the shaft of the red-filter.



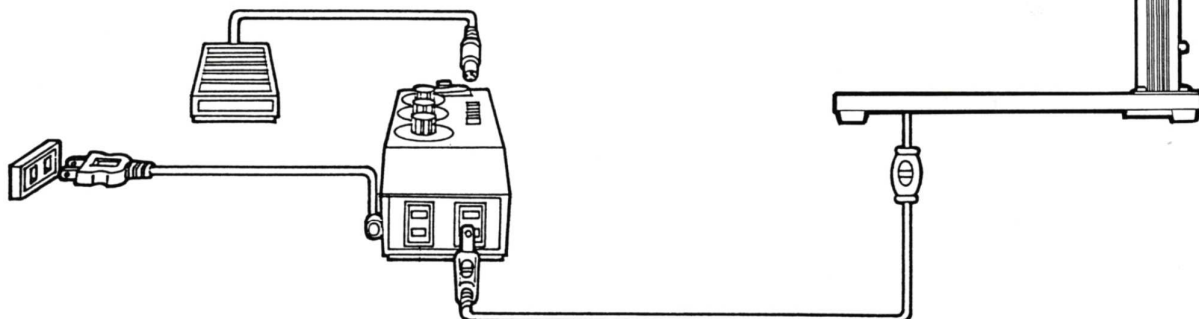
12. To complete assembly, place power cord from the head through the clip (23).



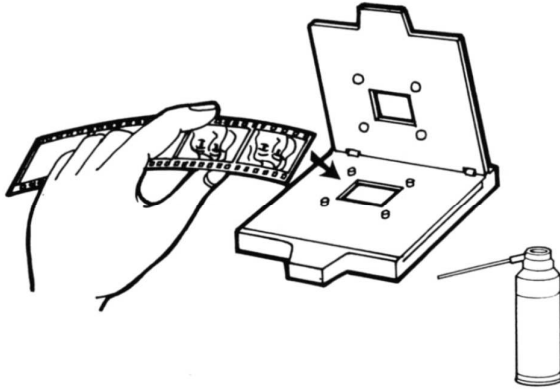
OPERATION 1

1. Connecting the enlarger with an enlarging timer and a foot-switch. (Timer and switch are not provided with the enlarger):

For easy operation of the enlarger, use of an enlarging timer and/or foot switch is recommended. The diagram shows an example of the connection.



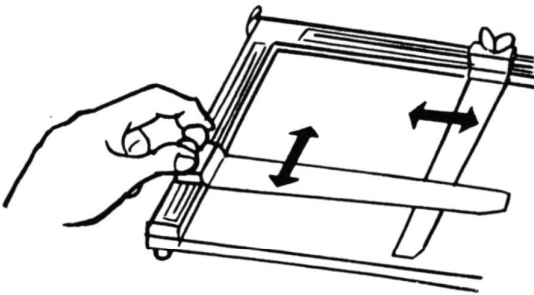
OPERATION 2



2. Setting the negative in the negative carrier:

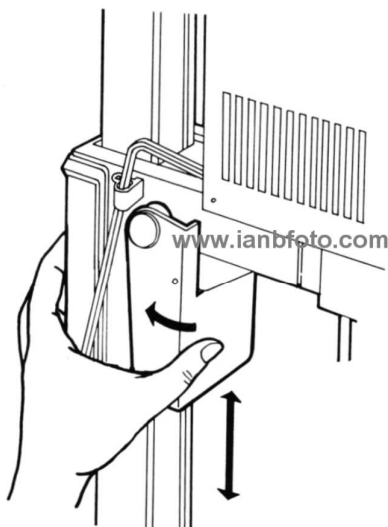
Put the negative in the carrier as shown, with the emulsion side down, top of the picture closer to you. Be sure that the negative is free from dust.

Set the negative carrier in the enlarger.



3. Setting the easel-mask (not supplied with enlarger):

Adjust the frames of the easel-mask to the size of the printing paper.



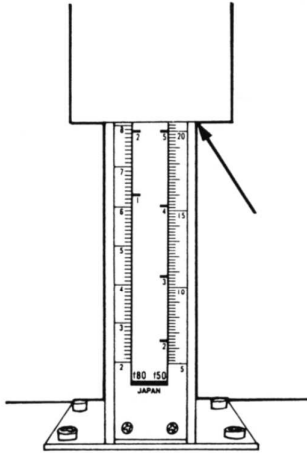
4. Composition and focus:

With the switch on, compose the picture and focus.

a. Elevation control:

The over-sized push-to-release elevation control lever will be used as shown for smooth setting of desired magnification.

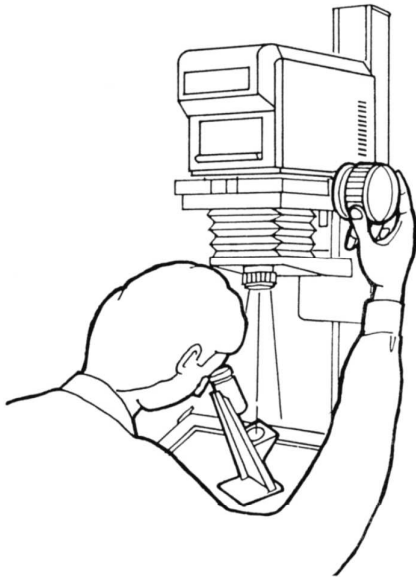
OPERATION 3



b. Magnification Scale on the column:

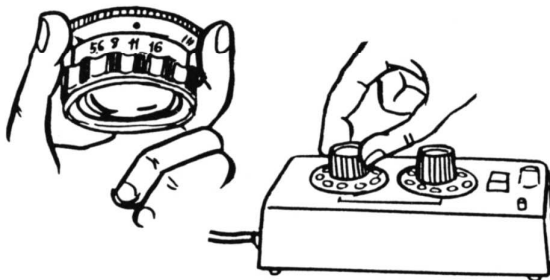
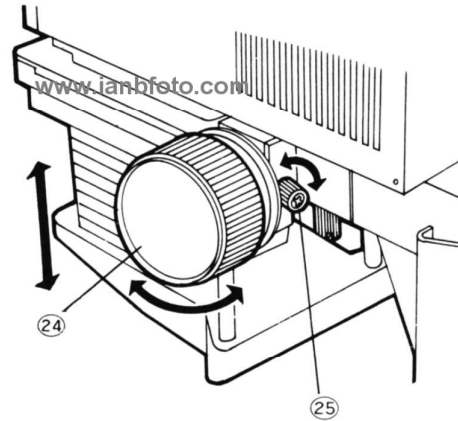
Figures inside the scale indicate magnifications using 50 mm (right) and 80 mm (left) lens.

Outside scales indicate distance from base-board in inch (left) and centimeter (right).



c. Focusing:

Use the focus control (24) as shown. It is provided with the touch control knurled screw (25).



5. Setting F-stop, and exposure time:

Find an appropriate combination of F-stop and exposure time, by means of test-printing or using devices.

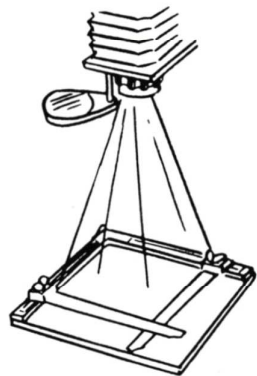
Set the F-stop on the lens, and exposure time in the timer.

OPERATION 4

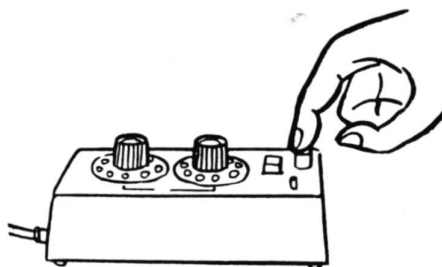


6. Setting the printing paper:

Place the paper in the easel mask, with emulsion (smooth) side up. Turn on the switch for exposure.



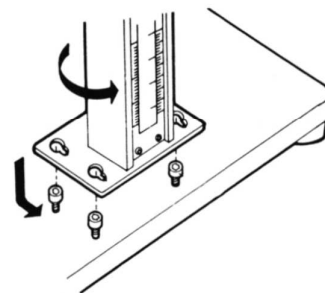
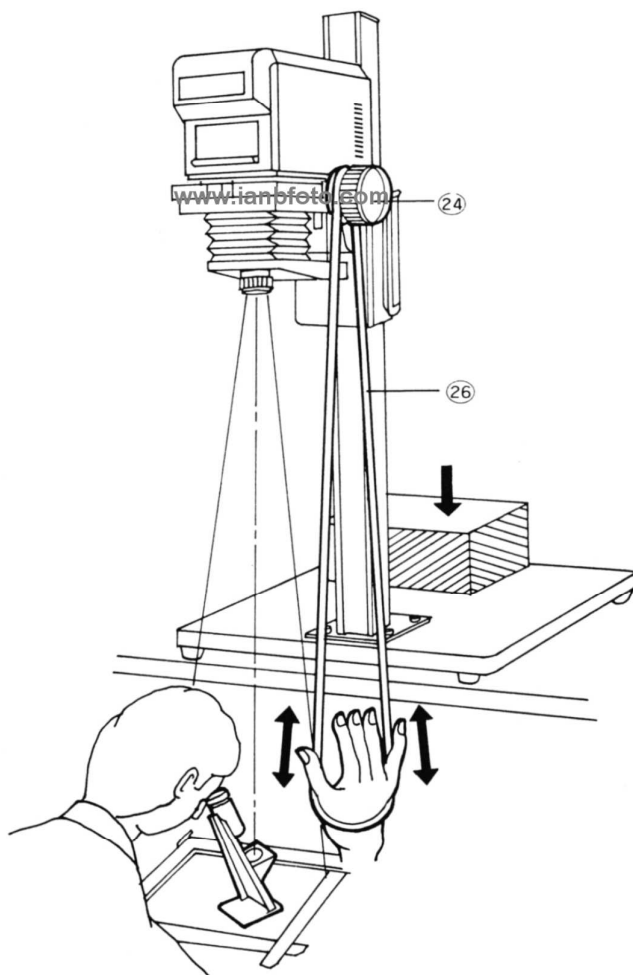
7. Turn on the switch and make exposure:



● "Floor Projection" for extra-large blow-ups and the remote focus rope (option):

"Floor Projection" is possible with the enlarger for making an over-sized blow-up, off the baseboard.

To do it, the column (with the head) has to turn round 180° on the baseboard as shown. Proper counter-weight must be placed on the baseboard.



First loosen the column base-plate bolts, and get the column (with the head) separated from baseboard. Then turn round the column, and set it again on the baseboard.

Note: "Wall projection" is NOT possible with the enlarger.

● Remote Focus Rope: (option)

For convenience in oversized blow-up, the remote focus rope is provide as an option. Put the rope (26) around the focus control (24) as shown. The rope will fit into the groove in the control. Adjustment may be recommended.

For Mamiya and Bronica medium format cameras and accessories go to : www.ianbfoto.com

Manufactured by **LPL CO., LTD.** TOKYO·JAPAN

ENLARGER

PRECAUTION ON SAFETY

WARNING

Do not cover by paper or cloth, and keep easily burning materials away as it may cause fire.

Switch off power source without fail when lamp is installed or removed or cleaned, as it may cause to get burn or to receive electric shock.

CAUTION

- * When assembled, follow procedure of Instruction manual, and fasten the screws securely.
- * Do not fall down or knock or give unreasonable force. If damaged, it may cause hurt or fire.
- * While in operation, do not cover ventilating hole.
- * When changing lamp, extract cord of power supply and cool the head completely before touching the lamp.
- * Specification of spare lamp is 220V-240V, 100W Max. Do not use the lamp other than specified.
- * When the cord of power supply is broken, exchange it at appointed dealers or manufacturer as it will require special tools for repair.
- * Do not use in a rain or wet environment or high temperature.
- * Do not use under circumstances of inflammable conditions such as Gasoline, Thinner, Lacquer, inflammable spray and dust.

信頼のブランド



L3231-20

システム引伸機7700・6000シリーズ

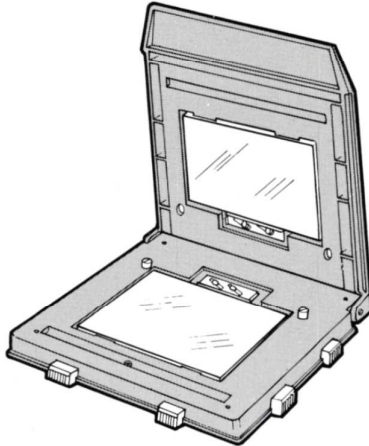
ユニバーサルネガキャリア取扱説明書

UNIVERSAL NEGATIVE CARRIER For System 7700-6000 Enlarger Series

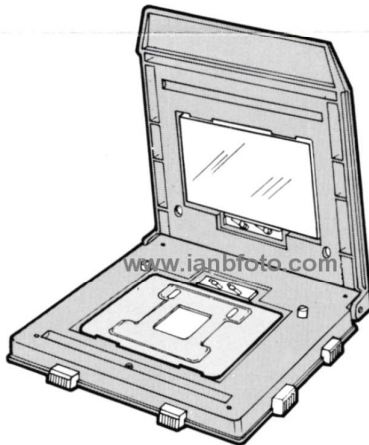
このたびはLPL製品をお求めいただきありがとうございました。この説明書を良くお読みいただき正しくご使用ください。

使用例 EXAMPLE

右のインサート、アンチニュートンガラス、付属のガラスを自由に組合せてご使用になれます。



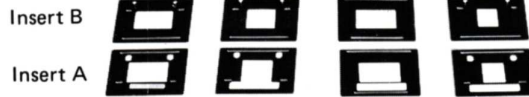
(使用例1の組合せ) Combination 1



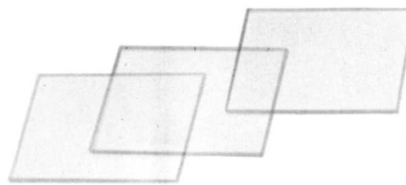
(使用例4の組合せ) Combination 4

別売付属品 OPTIONAL COMPONENTS

インサート(ネガマスク)INSERTS :



35mm用 L 3241-36 A.B I組	35スライド用 L 3241-37 A.B I組	126用 L 3241-32 A.B I組	ハーフ L 3241-34 A.B I組
------------------------------	--------------------------------	-----------------------------	----------------------------



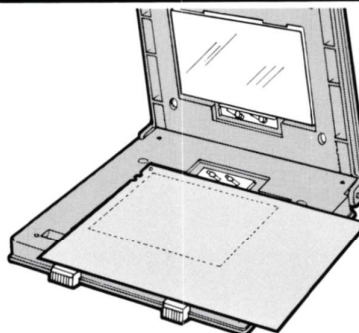
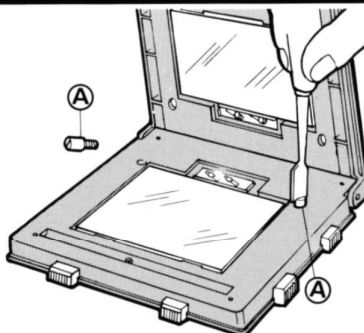
3241-23
アンチニュートンガラス(1枚)
Anti-Newton Ring Glass

3241-22
専用ガラス(1枚)
Glass(Ordinary)

使用例組合せ表 Example of Insert Glass Combinations:

ネガキャリア Carrier	1	2	3	4
上側 Upper	ガラス Glass	アンチニュートン A.N. Glass	インサートA (ピンなし) Insert A w/o pins	アンチニュートン及びガラス A.N. Glass or Glass
下側 Lower	ガラス Glass	ガラス Glass	インサートB (ピン付) Insert B with pins	インサートA (ピンなし) Insert A w/o pins
特性 Characteristics	平面性の良いスタンダードの使用。 Keeps film flat.	ニュートンリング防止と平面性が最高。 Keeps film flat and prevents Newton Rings.	インサートのみガラスなしでホコリがネガに付きません。 Without glasses. Keeps film free of dust.	アンチニュートンはニュートン防止、ガラスは平面性が良くネガのホコリ防止。 Less chance of having dust on film.

4×5" ネガの使用法 Partial Printing from 4 x 5 film.



ガイドピン(A)をはずせば4×5"のネガも使えます。ことに集合写真のアップのトリミングに便利です。

Remove guide pins. Convinient for trimming from a group photo.